

# Fibre Solutions

## Patch Panels

### RMG Series Rack Mount Fibre Enclosures

ADC KRONE introduces the RMG Series rack mount fibre enclosures as an integral part of the TrueNet® product portfolio. ADC KRONE's RMG Series fibre enclosure provides rugged and durable protection for patching or splicing of fibre cables. Especially designed to be user friendly, the slide-out design and removable front and rear panels provide convenient access points.

ADC KRONE's RMG Series offers a cost effective and high-density rack mount fibre enclosure in one, two and four rack unit sizes. Its modular design and flexible configurations including terminating, splicing and MTP/ MPO solutions makes it very user friendly and easy to install.

The 1RU and 2RU units contain sliding and removable front and rear access panels, providing convenient access points. Designed for 19-inch rack or cabinet environment, optional brackets are available to accommodate 23-in rack or cabinet mounting.

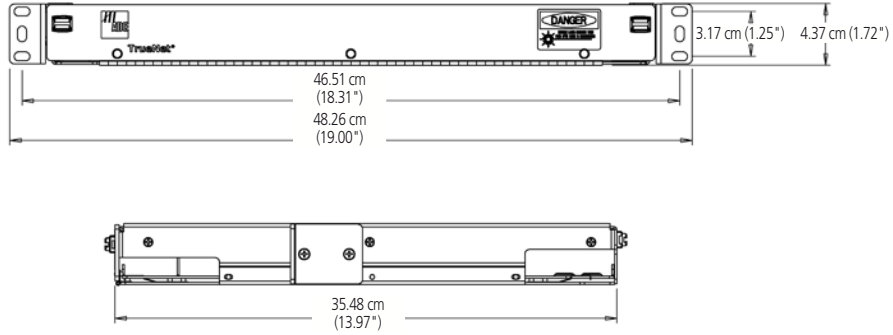
The user friendly design utilises modular adaptor packs and offers higher density for space limited applications through its low profile design.

The side and rear cable entry points on rear of panel support a wide range of deployment applications.

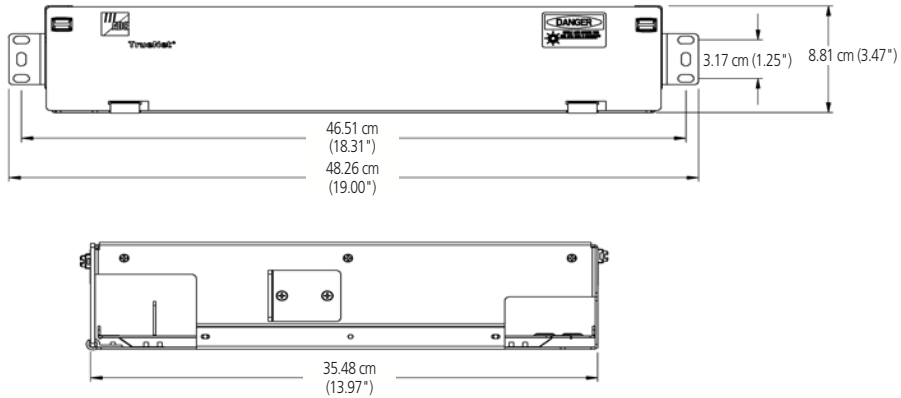


### RMG Series Rack Mount Fibre Enclosures

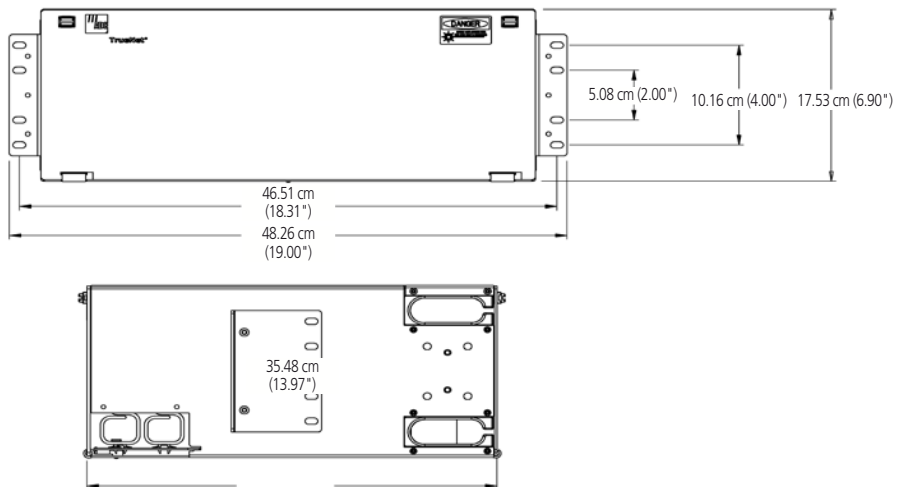
#### 1RU Model



#### 2RU Model



#### 4RU Model



### RMG Empty Panels

The RMG empty panel with blank panels includes 48.26 cm (19-inch) EIA mounting brackets and hardware, polycarbonate front door, cable ties, cable management rings and circuit identification cards. The RMG empty panel allows for the user to mix and match any combination of modular adaptor packs or simply utilise a “grow as you go” approach to their network.

These are easy and quick to configure, utilising the modular adaptor pack. These can be shipped with standard 48.26cm (19-inch) EIA rack or cabinet mounting hardware.

#### Ordering Information

Description	Panel Height	Product No.
<b>Rack or Cabinet Mount Panel, black</b>		
1RU empty panel; accommodates 3 modular adaptor packs; black	4.45 cm	RMG-1000-000B
2RU empty panel; accommodates 6 modular adaptor packs; black	8.89 cm	RMG-2000-000B
4RU empty panel; accommodates 12 adaptor packs; also includes cable management bracket and cable clamp; black	17.78 cm	RMG-4000-000B
<b>Accessories</b>		
<b>Cable Clamp Kit (for 1RU and 2RU)</b>		RMG-ACC001
<b>Splice Tray, heat shrink fusion</b>		FST-DV-HS

Refer to page 3.11 for standard modular adaptor plates and page 3.12 for MPO standard modular adaptor plates to suit these panels.

### RMG Standard Adaptor Packs

The RMG Series offers a variety of standard modular adaptor packs to accommodate most applications.



#### Ordering Information

Description	Product No.
<b>Multimode adaptor only packs</b>	
LC quad adaptors with phosphorus bronze sleeve, beige colour 6 adaptors or 24 fibre ports per adaptor pack	RMG-24ADPQ3
SC duplex adaptors with phosphorus bronze sleeve, beige colour 6 adaptors or 12 fibre ports per adaptor pack	RMG-12ADPC3
SC adaptors with phosphorus bronze sleeve, beige colour 6 adaptors or 6 fibre ports per adaptor pack	RMG-06ADPC1
LC adaptors with phosphorus bronze sleeve 6 adaptors or 12 fibre ports per adaptor pack	RMG-12ADPQ1
<b>10 Gigabit multimode adaptor only packs</b>	
LC quad adaptors with zirconia sleeve, aqua colour 6 adaptors or 24 fibre ports per adaptor pack	RMG-24ADPQ4
SC duplex adaptors with zirconia sleeve, aqua colour 6 adaptors or 12 fibre ports per adaptor pack	RMG-12ADPC4
SC adaptors with zirconia sleeve, aqua colour 6 adaptors or 6 fibre ports per adaptor pack	RMG-06ADPC2
<b>Singlemode adaptor only packs</b>	
LC duplex adaptors, blue colour 6 adaptors or 12 fibre ports per adaptor pack	RMG-12ADPQ5
LC quad adaptors, blue colour 6 adaptors or 24 fibre ports per adaptor pack	RMG-24ADPQ8
SC duplex adaptors, blue colour 6 adaptors or 12 fibre ports per adaptor pack	RMG-12ADPC6
SC adaptors 6 adaptors or 6 fibre ports per adaptor pack	RMG-06ADPC7

### RMG Plug-and-Play Cassettes

ADC KRONE's RMG series fibre enclosure provides rugged and durable protection for patching or splicing of fibre cables. Especially designed to be user-friendly, the slide-out design and removable front and rear panels provide convenient access points.

The RMGs modular MPO cassettes can be used in any of the RMG series fibre enclosures in LC and SC connector styles in OM3 and OS1 singlemode glass types. Designed for easy installation and allowing rapid deployment with less labour.

Completely interchangeable between RMG panel products. Can be ordered with all standard types duplex and quad multimode and singlemode adapters. Modular design reduces installation costs.



#### Ordering Information

Description	Product No.
<b>Plug-and-Play Cassettes</b>	
<b>50/125µm Multimode Laser OM3 Cassettes</b>	
12 fibre cassettes; 6 SC Duplex (aqua) Multimode Adaptors, 1 MPO Adaptor	RMG-12MPODC4
12 fibre cassettes; 3 Quad LC (aqua) Multimode Adaptors, 1 MPO Adaptor	RMG-12MPODQ4
24 fibre cassettes; 6 Quad LC (aqua) Multimode Adaptors, 2 MPO Adaptor	RMG-24MPODQ4
<b>Singlemode OS1 Cassettes</b>	
12 fibre cassettes; 6 SC Duplex (blue) Singlemode Adaptors, 1 MPO Adaptor	RMG-12MPOSC5
12 fibre cassettes; 3 Quad LC (blue) Singlemode Adaptors, 1 MPO Adaptor	RMG-12MPOSQ5
24 fibre cassettes; 6 Quad LC (blue) Singlemode Adaptors, 2 MPO Adaptor	RMG-24MPOSQ5
<b>Preterm RMG MPO – MPO Cable Assemblies</b>	
Preterm OM3 Aqua Cable MPO-MPO 12 core, 5m	PTF1202PP3005AQ
Preterm OM3 Aqua Cable MPO-MPO 12 core, 10m	PTF1202PP3010AQ
Preterm OM3 Aqua Cable MPO-MPO 12 core, 15m	PTF1202PP3015AQ
Preterm OM3 Aqua Cable MPO-MPO 12 core, 20m	PTF1202PP3020AQ
Preterm OM3 Aqua Cable MPO-MPO 12 core, 25m	PTF1202PP3025AQ
Preterm OM3 Aqua Cable MPO-MPO 12 core, 30m	PTF1202PP3030AQ

### RMG Maximum Capacity by Adaptor Style and Chassis Height

#### Termination Only Application

Chassis Height (in Rack Units)/ Application	Maximum Number of Fibre Terminations in Chassis	Maximum Number of Adaptor Packs per Chassis	Number of Fibre Terminations per Adaptor Pack	Adaptor Style
1	18	3	6	Simplex SC
1	36	3	12	Duplex SC, standard LC
1	72	3	24	Quad LC
2	36	6	6	Simplex SC
2	72	6	12	Duplex SC, standard LC
2	144	6	24	Quad LC
4	72	12	6	Simplex SC
4	144	12	12	Duplex SC, standard LC
4	288	12	24	Quad LC

#### Termination/Splice Application

Chassis Height (in Rack Units)/ Application	Maximum Number of Fibre Terminations in Chassis	Maximum Number of Adaptor Packs per Chassis	Number of Fibre Terminations per Adaptor Pack	Adaptor Style
1	18	3	6	Simplex SC
1	36	3	12	Duplex SC, standard LC
1	48	3	24	Quad LC
2	36	6	6	Simplex SC
2	72	6	12	Duplex SC, standard LC
2	72	6	24	Quad LC
4	72	12	6	Simplex SC
4	144	12	12	Duplex SC, standard LC
4	144	12	24	Quad LC

# Fibre Solutions

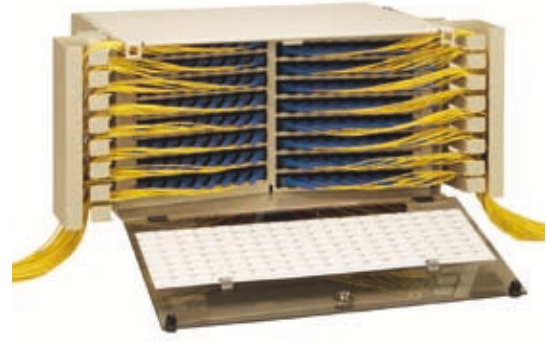
## Patch Panels

### FPL Series

FPL panels combine the unique features of vertical cable guides and angled left/right adaptors, offering diverse cable routing options and a complete cable management solution. The rear access splicing provides a high density termination/splice solution, maximising rack space. The 144-position high density termination/splice panel maintains all existing FPL panel capabilities in the space of just 5 rack units.

Panels are equipped with adjustable mounting brackets to provide either 19" or 23" rack or cabinet mounting (EIA or WECCO) as well as 4" or 5" recess mounting.

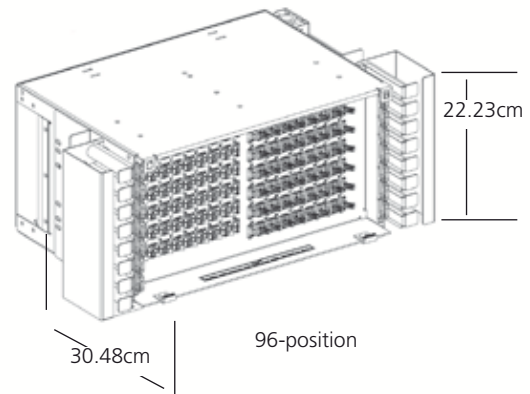
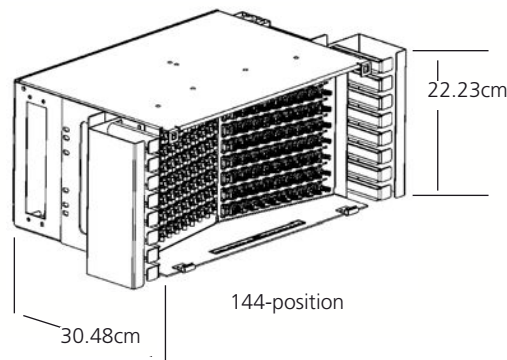
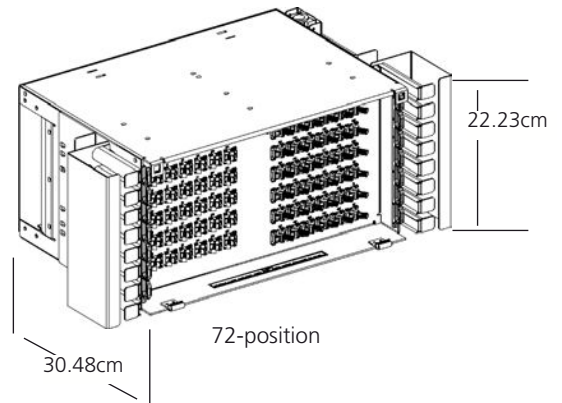
ADC KRONE's patented removable angled retainers allow easy access for single fibre maintenance. Vertical cable guides on either side of the panel provide bend radius protection and management of fibres exiting the panel. Using LC small form factor connectors will double the capacity for each panel (up to 144 for splicing applications).



### FPL Termination or Termination Splice

The FPL termination panels are available in 72, 96 and 144 termination densities. The panel is ordered with adaptors only for termination only applications, for combination termination/splice applications order required splice cassettes listed below. The rear panel offers pigtail storage and has a removable front polycarbonate door, with an optional lock for both front and rear doors (available separately).

Designation labels are included with each panel. Mounting brackets are included with the panel, which can flip to accommodate 19" or 23" mounting and 4" or 5" recess. Each panel includes 2 cable clamps.



#### Ordering Information

Description	Colour	Panel Height	Product No.
<b>Termination Only Panels</b>			
<b>FPL 24-port M/M LC Termination/Adaptor only Panel</b>	Putty	1RU	FPL-12RA06-2400
FPL 72-port M/M SC Termination/Adaptor only Panel	Putty	5RU	FPL-72RA09-7200
FPL 96-port M/M SC Termination/Adaptor only Panel	Putty	5RU	FPL-96RA09-9600
FPL 96-port M/M LC Termination/Adaptor only Panel	Putty	5RU	FPL-48RA06-9600
FPL 144-port M/M SC Termination/Adaptor only Panel	Putty	5RU	FPL-144RA09-144N0
FPL 144-port M/M LC Termination/Adaptor only Panel	Putty	5RU	FPL-72RA06-14400
FPL 288-port M/M LC Termination/Adaptor only Panel	Putty	5RU	FPL-144RA06-28800
FPL 48-port M/M LC Termination/Adaptor only Panel	Black	1RU	FPL-1DRA06-480B
FPL 72-port M/M SC Termination/Adaptor only Panel	Black	5RU	FPL-72RA09-720B
FPL 96-port M/M LC Termination/Adaptor only Panel	Black	5RU	FPL-48RA06-960B
FPL 144-port M/M SC Termination/Adaptor only Panel	Black	5RU	FPL-144RA09-144NB
FPL 144-port M/M LC Termination/Adaptor only Panel	Black	5RU	FPL-72RA06-1440B
FPL 288-port M/M LC Termination/Adaptor only Panel	Black	5RU	FPL-144RA06-2880B
<b>FPL Series Accessories for term/splice applications</b>			
<b>12 SPLICE Dual Heat shrink fusion splice tray</b>			FST-HS
24 SPLICE Dual Heat shrink fusion splice tray			FST-D-HS
5-20mm Cable Clamp Kit			FL2-ACC007

\*Note: maximum splice capability of FPL panel is 144 using 6 x FST-D-HS



# Fibre Solutions

## Patch Panels

### FL2000

The economical and flexible FL2000 series of fibre optic products is ideal for small fibre counts and can be used in moderate fibre count applications as well by combining various panels.



FL2000 Rack Mount Chassis (door open)



FL2000 Rack Mount Chassis

The FL2000 series is a complete line of modular panels developed for cabinet, rack and wall mounting. They are fully adaptable for small or large main distribution frame (MDF) or intermediate distribution frame applications.

The modular design offers maximum flexibility to satisfy both current needs and future growth requirements. A full line of options and accessories ensures compatibility with existing optical equipment.

Designed for the 19" rack or cabinet environment, optional brackets are available to accommodate 23" rack or cabinet mounting. They provide termination, splicing and storage capabilities for in-building cables, outside plant cables and fibre optic terminal (FOT) equipment patch cords.

FL2000 systems accommodate the modular FL2000 6-pak plug-ins. 6-paks are available in all connector styles and can be ordered as needed. ADC KRONE's patented removable angled retainers allow easy access for single fibre maintenance. The panels feature superior vertical cable protection and management.

Rack mount panels are hinged on one side, allowing full access to the rear of the front plate and the interior of the panel. Rack mount panels are equipped with mounting brackets to provide 12.7cm recess mounting, mounting brackets are available for virtually any mounting application. The rack mount panels can be wall mounted.

The new FL2000 splice wheel allows easy roll-up of pigtail and buffer tube lengths and superior bend radius protection. The FL2000 splice deck is available to complete existing installations.

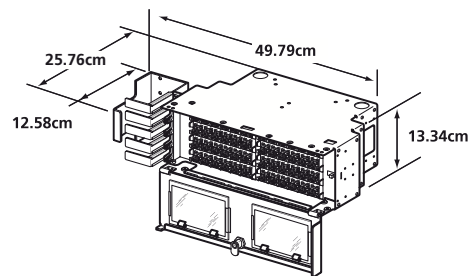
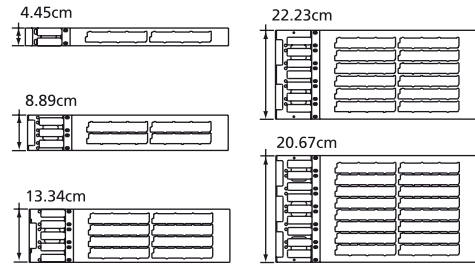


### FL2000 System Termination Only Empty Panels

These can be mounted on a 19" rack or cabinets, with a standard 12.7cm recess. There are alternative mounting kits, including a wall mounting option. They are hinged on the left side, allowing full access to the rear of the front plate and interior of the panel.

The panels are constructed of high strength aluminium and equipped with removable metal doors with Plexiglas windows.

Designation labels are included with each panel. FL2000 6-pak adaptor plug-ins can be ordered separately. There is a complete line of accessories including locks for security.



TrueNet® Structured Cabling  
04/08 • 400443HK

3. Fibre Solutions

#### Ordering Information

Description	Panel Height	Product No.
<b>Rack or Cabinet Mount Panel, black</b> <i>Includes vertical cable management trough</i> 24 fibre capacity 48 fibre capacity 72 fibre capacity 96 fibre capacity	8.89cm (2RU) 13.34cm (3RU) 22.23cm (5RU) 26.67cm (6RU)	FL2-24RPNL-B FL2-48RPNL-B FL2-72RPNL-B FL2-96RPNL-B
<b>Accessories</b>		
<b>Flush Mount Kits</b> Allow 1, 3, 4, 5 and 6RU recess mounting Kit includes: new vertical cable guide and mounting flanges	8.89cm (2RU) 13.34cm (3RU) 17.78cm (4RU) 22.23cm (5RU) 26.67cm (6RU)	FL2-FLMT0350-B FL2-FLMT0525-B FL2-FLMT0700-B FL2-FLMT0875-B FL2-FLMT1050-B
<b>Cable Clamp Kit</b> <i>One per cable recommended</i> Outer diameter 0.51cm to 2cm Outer diameter 1.8cm to 2.5cm Cable clamp kit for 12 fibre capacity panel only		FL2-ACC007 FL2-ACC021 FL2-ACC033
<b>Bonding/Grounding Kit</b>		FL2-ACC006



24 Fibre Capacity



72 Fibre Capacity



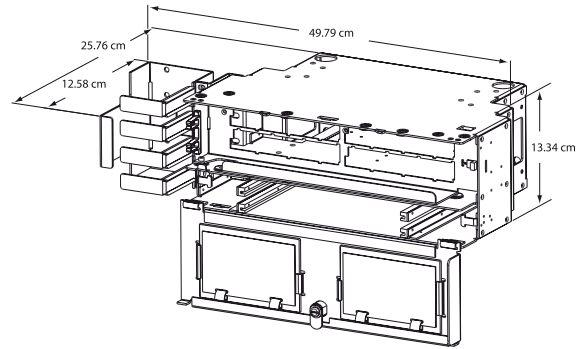
96 Fibre Capacity

### FL2000 Termination/Splice Empty Panels

These can be mounted on a 19" rack or cabinets, with a standard 12.7cm recess. There are alternative mounting kits, including a wall mounting option. They are hinged on the left front side for complete access to the interior of the termination section.

These can be quickly and easily configured, utilising the 6-pak assemblies (ordered separately).

There is a complete line of accessories available including locks for security.



Termination/splice panel

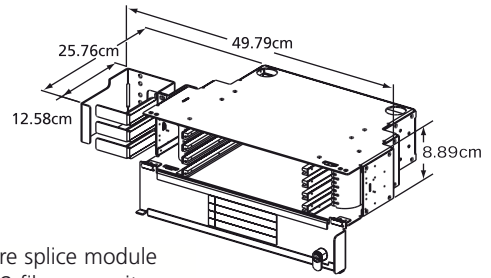
#### Ordering Information

Description	Panel Height	Product No.
<b>Termination/Splice Panel, black</b> 12-position 24-position 48-position 72-position 96-position	8.89cm (2RU) 13.34cm (3RU) 22.23cm (5RU) 35.56cm (8RU) 44.45cm (10RU)	FL2-12TS350-B FL2-24TS525-B FL2-48TS875-B FL2-72TS140-B FL2-96TS175-B
<b>Splice Wheel with Splice Chip</b> 12-position heat shrink fusion 24-position heat shrink fusion		FST-DRS12-HS FST-DRS24-NT
<b>Splice Deck with Splice Chip</b> 12-position heat shrink fusion 24-position heat shrink fusion		FL2-RSPLCE-HS-B FL2-RSPLCE-NT-B
<b>Accessories</b>		
<b>Flush Mount Kits</b> Allows 1, 2, 3, 5, 8 and 10RU recess mounting Kit includes: new vertical cable guide and mounting flanges	8.89cm (2RU) 13.34cm (3RU) 22.23cm (5RU) 35.56cm (8RU) 44.45cm (10RU)	FL2-FLMT0350-B FL2-FLMT0525-B FL2-FLMT0875-B FL2-FLMT1400-B FL2-FLMT1750-B
<b>Cable Clamp Kit</b> (Kit of 1) Outer diameter 0.51cm to 2cm Outer diameter 1.8cm to 2.5cm For mounting kits and additional accessories.		FL2-ACC007 FL2-ACC021

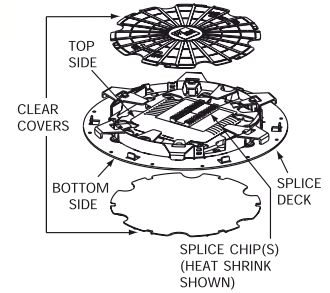
### FL2000 Splice Only Empty Panels

These panels offer a combination of splicing protection and associated fibre/pigtail storage. The splice panel can be mounted in conjunction with any FL2000 termination panel or as a stand-alone splice panel.

They occupy the same footprint and offer the same mounting options as FL2000 termination panels and accept the ADC KRONE splice wheel for efficient management of fibre cable and splice protection.



Fibre splice module  
(48 fibre capacity module shown)



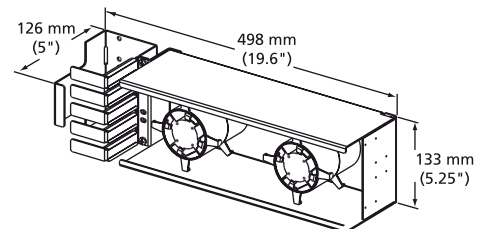
Splice wheel with splice chip (black)

#### Ordering Information

Description	Panel Height	Product No.
<b>Splice Wheel with Splice Chip</b> 12-position heat shrink fusion 24-position heat shrink fusion		FST-DRS12-HS FST-DRS24-NT
<b>Splice Panel for Splice Deck for existing installations, black</b> (Also accepts splice wheel) 48 fibre capacity 96 fibre capacity 144 fibre capacity	8.89cm (2RU) 17.78cm (4RU) 22.23cm (5RU)	FL2-48SPNL-B FL2-96SPNL-B FL2-144SPNL-B
<b>Cable Clamp Kit (kit of 1)</b> Outer diameter 0.51cm to 2cm Outer diameter 1.8cm to 2.5cm		FL2-ACC007 FL2-ACC021

### Horizontal Interbay Management Panel

These mount horizontally in a bay to manage jumper storage and may be modified for flush or wall mount applications.



Horizontal Interbay Management Panel

#### Ordering Information

Description	Product No.
<b>Horizontal Interbay Management Panel</b>	FL2-HZSTORE-B

# Fibre Solutions

## Patch Panels

### FL2000 6-pak Connector Plug-Ins

These are completely interchangeable between FL2000 panel and wall box products. They can be ordered with all standard types of simplex and duplex single and multimode adaptors and connectors.

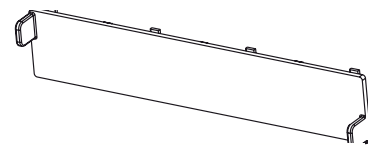
Featuring ADC KRONE's patented removable angled retainers, they provide superior fibre management. No tools are required to install into FL2000 boxes or panels. These are supplied with adaptors only.



6-pak Plug-in (shown with singlemode duplex adaptors)



6-pak Plug-in (shown with multimode duplex adaptors)



6-pak blank plug-in



6-pak plug-in (shown with singlemode simplex adaptors)



6-pak plug-in (shown with multimode simplex adaptors)



6-pak plug-in (shown with singlemode LC adaptors)



6-pak plug-in (shown with multimode LC adaptors)

#### Ordering Information

Description	Product No.
<b>Multimode</b>	
SC (simplex)	FL2-6PMMSC
SC (duplex)	FL2-6PMMDSC
LC (duplex)	FL2-6PMMLC
<b>Singlemode</b>	
SC (duplex)	FL2-6PSMDSC-Z
SC, (simplex)	FL2-6PSMSC-Z
LC (duplex)	FL2-6PSMLC
<b>6-pak Blank Plug-in</b>	FL2-6PBLNK

### LKH Series Hinged Patch Panels

These patch panels are rack mountable. Available in 1RU, 2RU and 3RU configurations providing medium density of up to 72-port with SC/ST connectors or 144-port with LC connectors. These panels are supplied empty, adaptor plates and splice cassettes are ordered separately, refer to page 3.25 and 3.26 for adaptor plate and splice cassette options.

The hinged tray allows easy access for both installation and rework. Easily configured for right or left hand opening, they come complete with a patch cord guide.

Designed for rear or side cable entry featuring strain relief and cable tie points, they have a removable lid.



24/48-port Hinged Patch Panel

#### Ordering Information

Description	Quantity	Colour	Panel Height	Product No.
<b>12/24-port Hinged Patch Panel (empty)</b>	Box of 1	Charcoal	1RU	6877 1 002-02
24/48-port Hinged Patch Panel (empty)	Box of 1	Charcoal	2RU	6877 1 002-00
36/72-port Hinged Patch Panel (empty)	Box of 1	Charcoal	3RU	6877 1 002-01

### LKH Series Sliding and Fixed Patch Panels

ADC KRONE Sliding and Fixed Fibre Patch Panels are ideally suited to low to medium density campus and backbone applications, these panels are 19" rack mountable and can be equipped for either 12-port or 24-port in one rack unit depending on the type of adaptor plates used. These panels are supplied empty, adaptor plates and splice cassettes are ordered separately, refer to page 3.25 and 3.26 for adaptor plate and splice cassette options.



Sliding Patch Panel

#### Ordering Information

Description	Quantity	Colour	Panel Height	Product No.
<b>Sliding Patch Panel (empty)</b>	Box of 1	Charcoal	1RU	6877 1 001-00
Fixed Patch Panel (empty)	Box of 1	Charcoal	1RU	6877 1 003-00

# Fibre Solutions

## Patch Panels

### Fibre Optic 1RU Plastic Fibre Patch Panel

The TrueNet® Fibre Optic 1RU Patch Panel from ADC KRONE is an integral part of the TrueNet system, providing a versatile and integrated approach to the management of optical patching. Constructed from a PC-ABS compound, the panel is both lightweight and robust enough to be used as a substitute for metal solutions.

These are provided with adaptors to simplify the ordering process, now with one part number for the complete product.

Available with multiple adaptor types for interfacing between old and new infrastructure builds including SC, ST and LC.

The 1RU high sliding panels offers ease of access and standard deployment into 19" racks. A PC-ABS construction means that they tray is both lightweight whilst maintaining mechanical strength. The internal cable management protects splices and pigtails from lateral damage whilst maintaining the bend radii for optimal data packet throughput.



#### Ordering Information

Description	Product No.
<b>Plastic Patch Panel With Adaptors</b>	
4-port SM FC Plastic Panel with adaptors	7033 1 097-04
8-port SM FC Plastic Panel with adaptors	7033 1 097-08
12-port SM FC Plastic Panel with adaptors	7033 1 097-12
24-port SM FC Plastic Panel with adaptors	7033 1 097-24
12-port SC Duplex Plastic Panel with adaptors	7033 1 180-12
24-port SC Duplex Plastic Panel with adaptors	7033 1 180-24
12-port ST Duplex Plastic Panel with adaptors	7033 1 182-12
24-port ST Duplex Plastic Panel with adaptors	7033 1 182-24
24-port LC Duplex Plastic Panel with adaptors	7033 1 103-12
48-port LC Duplex Plastic Panel with adaptors	7033 1 103-24

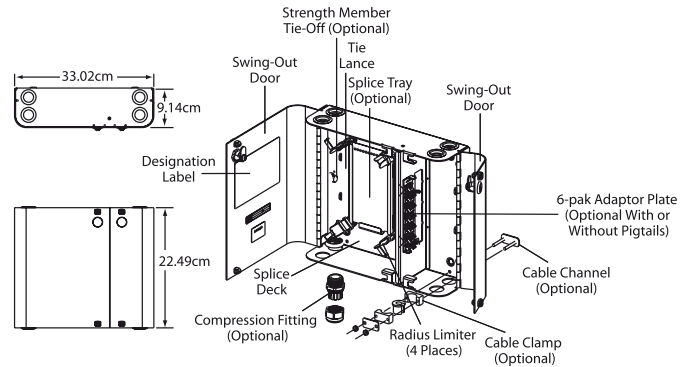
### FL1000 Two-Door Wall Mount Boxes

The FL1000 two-door, wall mount boxes feature a unique design and many integrated features such as:

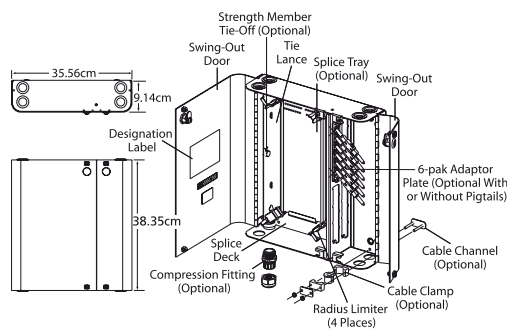
- Multiple, configurable locking options that allow users and service providers separate access for security.
- Acceptance of strength member tie-off hardware.
- Acceptance of cable clamps at each corner.

Grounding screws, mounting screws and dust caps are included with each panel. More accessories are available.

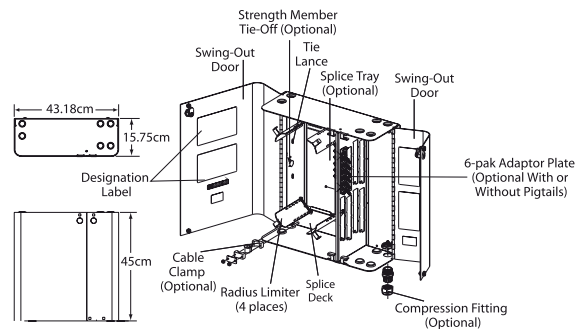
12-position Termination/Splice Wall Box



24-position Termination/Splice Wall Box



48-position Termination/Splice Wall Box



### Ordering Information

Description	Quantity	Colour	Product No.
<b>Termination/Splice Wall Boxes</b>			
12-position, empty	Box of 1	Putty	FL1-G
24-position, empty	Box of 1	Putty	FL1-H
48-position, empty	Box of 1	Putty	FL1-J

Note: Order 6-packs and accessories separately.



### FL1000 6-pak Adaptor Packs

Flexibility for future growth:  
To add capacity to an existing  
FL1000 panel, simply order the  
appropriate 6-pak.

#### 6-paks with Adaptors

Multimode (62.5/125)	Product No.
SC	FL2-6PMMSC
Duplex SC	FL2-6PMDSC
LC	FL2-6PMMLC
Singlemode	
SC	FL2-6PSMSC-Z
Duplex SC	FL2-6PSMDSC-Z
SC angled 8°	FL2-6PSMASC
LC	FL2-6PSMLC



6-pak without fibre

### Accessories

#### Ordering Information

Accessories	Product No.
Compression fitting	FL1-ACC001
Radius limiters (set of 2 for use with rack mount panels)	FL1-ACC002
Strength member tie-off kit	FL1-ACC003
Cable clamp	FL2-ACC007
Bonding grounding kit	FL2-ACC006
Lock and Key Type A	IPA-K1
Lock and Key Type B	IPA-K2
Standard splice trays	
12-position Heat shrink fusion	FST-HS
24-position Nortel	FST-NT

### LKH Series Highlight 12/24-port Wall Box

For wall surface mount applications. It can be equipped for either 12-port or 24-port depending on the type of adaptor plates used. Has a lockable demarcation point to stop access to internal fibres. Wall boxes are supplied empty, adaptor plates and splice cassettes are ordered separately, refer to page 3.25 and 3.26 for adaptor plate and splice cassette options.



Wall Box

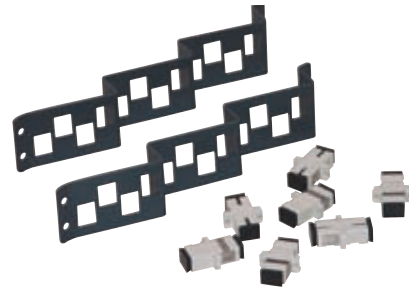
#### Ordering Information

Description	Quantity	Colour	Product No.
Wall Box	Box of 1	Charcoal	6877 1 005-00

\* Order adaptor plates and accessories separately

### Adaptor Plate Kits

LKH Series Adaptor Plates suit hinged, sliding, fixed patch panels and wall mount boxes.



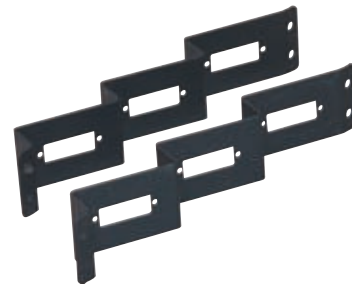
Adaptor Plates Kit

#### Ordering Information

Description	Quantity	Colour	Product No.
<b>12-port Adaptor Plate Kit with SC SPX M/M adaptors</b>	Box of 2	Charcoal	6877 2 010-00
12-port Adaptor Plate Kit with ST SPX M/M adaptors	Box of 2	Charcoal	6877 2 010-01
12-port Adaptor Plate Kit with SC DPX M/M adaptors	Box of 2	Charcoal	6877 2 010-02
<b>24-port Adaptor Plate Kit with SC SPX M/M adaptors</b>	Box of 2	Charcoal	6877 2 010-03
24-port Adaptor Plate Kit with ST SPX M/M adaptors	Box of 2	Charcoal	6877 2 010-04
24-port Adaptor Plate Kit with SC DPX M/M adaptors	Box of 2	Charcoal	6877 2 010-05
24-port Adaptor Plate Kit with LC DPX M/M adaptors	Box of 2	Charcoal	6877 2 011-12
48-port Adaptor Plate Kit with LC DPX M/M adaptors	Box of 2	Charcoal	6877 2 011-13

### Adaptor Plates

LKH Series Adaptor Plates suit hinged, sliding, fixed patch panels and wall mount boxes.



Adaptor Plates

#### Ordering Information

Description	Quantity	Colour	Product No.
<b>12-port SC/LC Simplex Adaptor Plates</b>	Box of 2	Charcoal	6877 2 011-00
12-port ST Simplex Adaptor Plates	Box of 2	Charcoal	6877 2 011-01
12-port SC Duplex Adaptor Plates	Box of 2	Charcoal	6877 2 011-02
<b>24-port SC/LC Simplex Adaptor Plates</b>	Box of 2	Charcoal	6877 2 011-03
24-port ST Simplex Adaptor Plates	Box of 2	Charcoal	6877 2 011-04
24-port SC Duplex Adaptor Plates	Box of 2	Charcoal	6877 2 011-05

# Fibre Solutions

LKH Accessories

## LKH Fibre Splice Tray Kit

Suitable for use in Hinged, Sliding and Fixed Patch Panels. Holds up to 12 fusion splices.



Fusion Splice Protectors



Splice Tray Kit

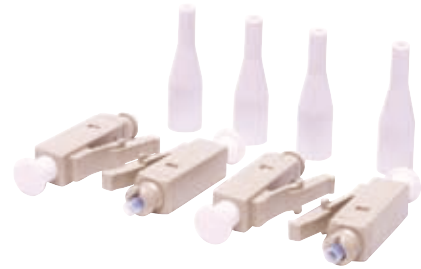
### Ordering Information

Description	Quantity	Colour	Product No.
Splice Tray Kit	Bag of 1	White	6877 2 108-00
Fusion Splice Protectors	Bag of 25		6877 2 109-00

### Epoxy/Polish Connectors

Epoxy field polish connectors are ideal for low bandwidth multimode applications and available in LC, SC and ST connectors styles in 3mm/2mm boot sizes.

ADC KRONE recommends the use of fusion spliced pigtails or factory pre-terminated cable assemblies for high bandwidth S/M and OM3 applications.



LC Multimode Connector



SC Multimode Connector



ST Multimode Connector

#### Ordering Information

Description	Quantity	Colour	Product No.
<b>SC Multimode Connector 3mm Boot</b>	Bag of 10	Beige	6643 1 012-00
ST Multimode Connector 3mm Boot	Bag of 10	Grey	6643 1 010-00
LC Multimode Connector 2mm Boot	Bag of 10	Beige	6877 1 101-01
<b>SC Multimode Connector 0.9mm Boot</b>	Bag of 10	Beige	6643 1 012-01
ST Multimode Connector 0.9mm Boot	Bag of 10	Grey	6643 1 010-01
LC Multimode Connector 0.9mm Boot	Bag of 10	Beige	6877 1 101-00

### Adaptors



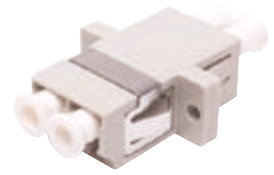
ST Multimode Adaptor



SC Duplex Multimode Adaptor



SC Duplex Singlemode Adaptor



LC Duplex Multimode Adaptor

#### Ordering Information

Description	Quantity	Colour	Product No.
<b>SC Simplex Multimode Adaptor</b>	Bag of 10	Beige	6643 1 021-02
SC Simplex Singlemode Adaptor	Bag of 10	Blue	6643 1 021-03
SC Duplex Multimode Adaptor	Bag of 10	Beige	6643 1 021-04
SC Duplex Singlemode Adaptor	Bag of 10	Blue	6643 1 021-05
SC/APC Duplex Singlemode Adaptor	Bag of 10	Green	6643 1 021-06
<b>LC Multimode (SC Simplex Footprint)</b>	Bag of 10	Beige	6877 1 110-00
LC Singlemode (SC Simplex Footprint)	Bag of 1	Blue	7048 1 025-00
MTRJ Multimode (SC Simplex Footprint)	Bag of 10	Beige	6877 1 112-00
<b>ST Multimode Adaptor</b>	Bag of 10	Grey	6643 1 021-00
ST Singlemode Adaptor	Bag of 10	Grey	6643 1 021-01